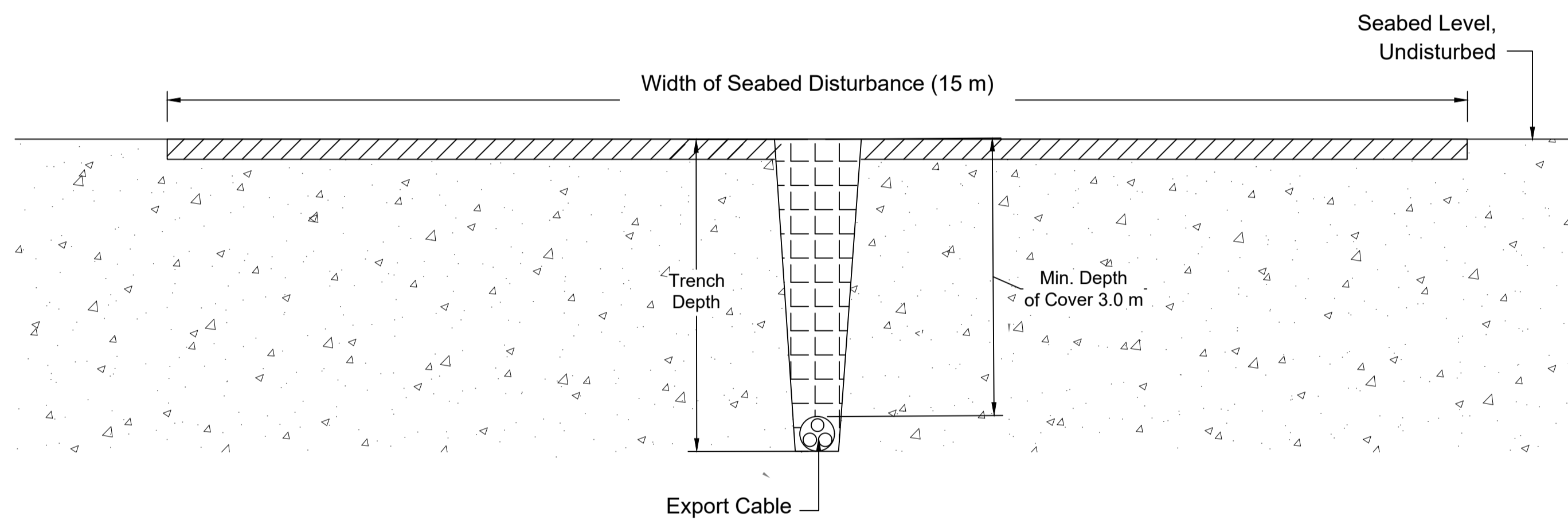
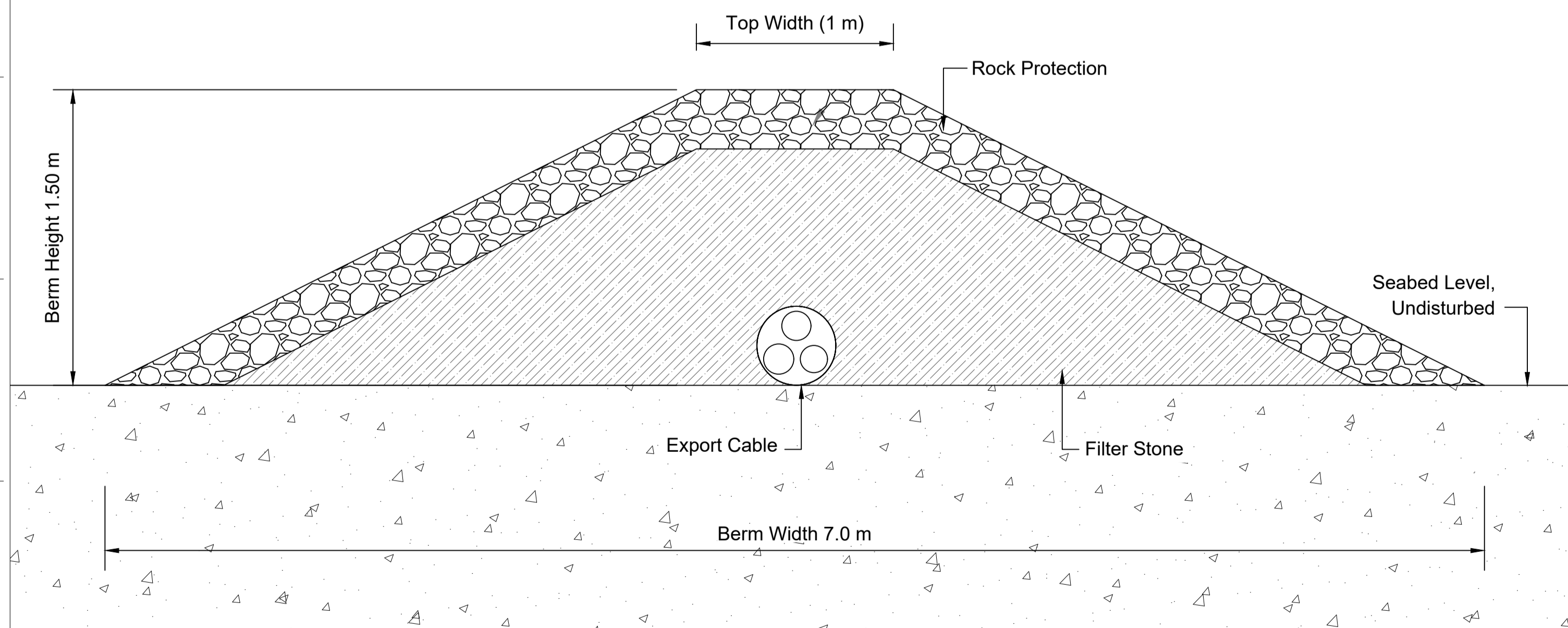


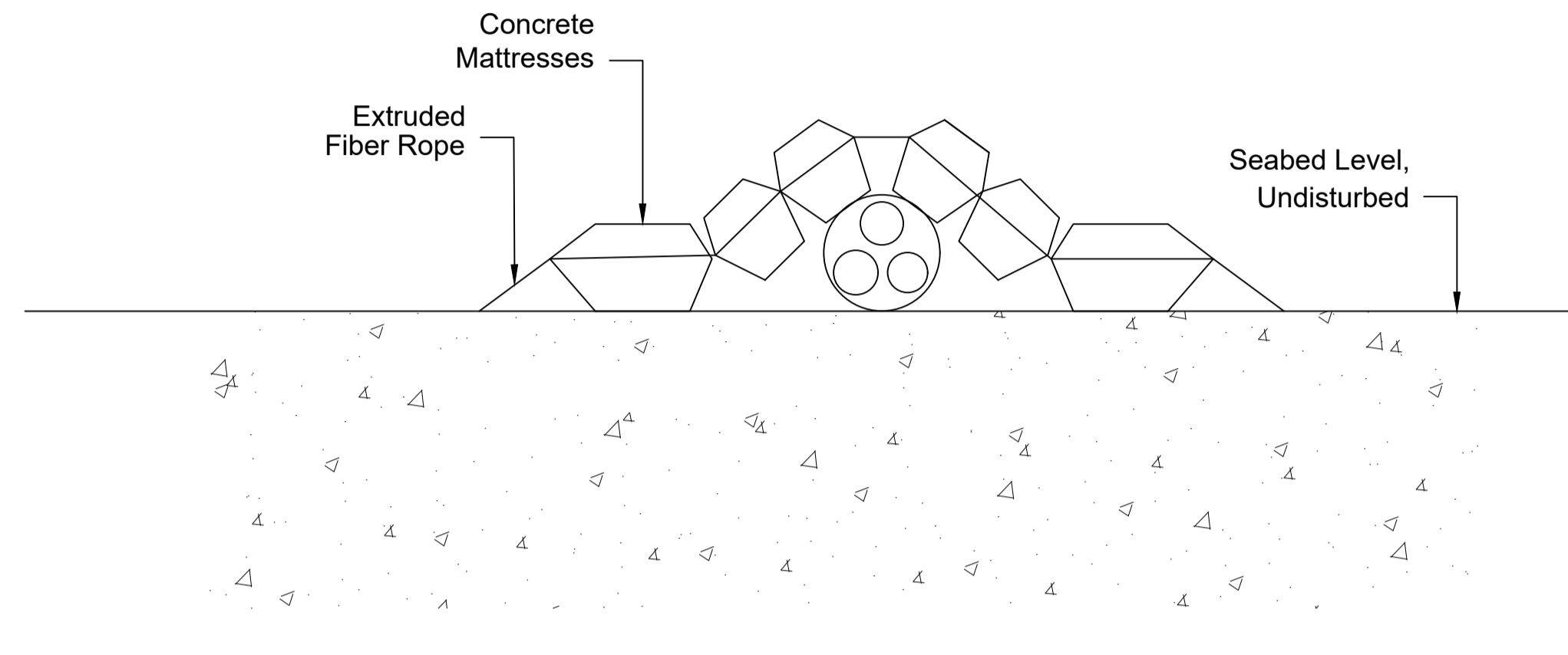
Export Cable Installation
Scale 1:50



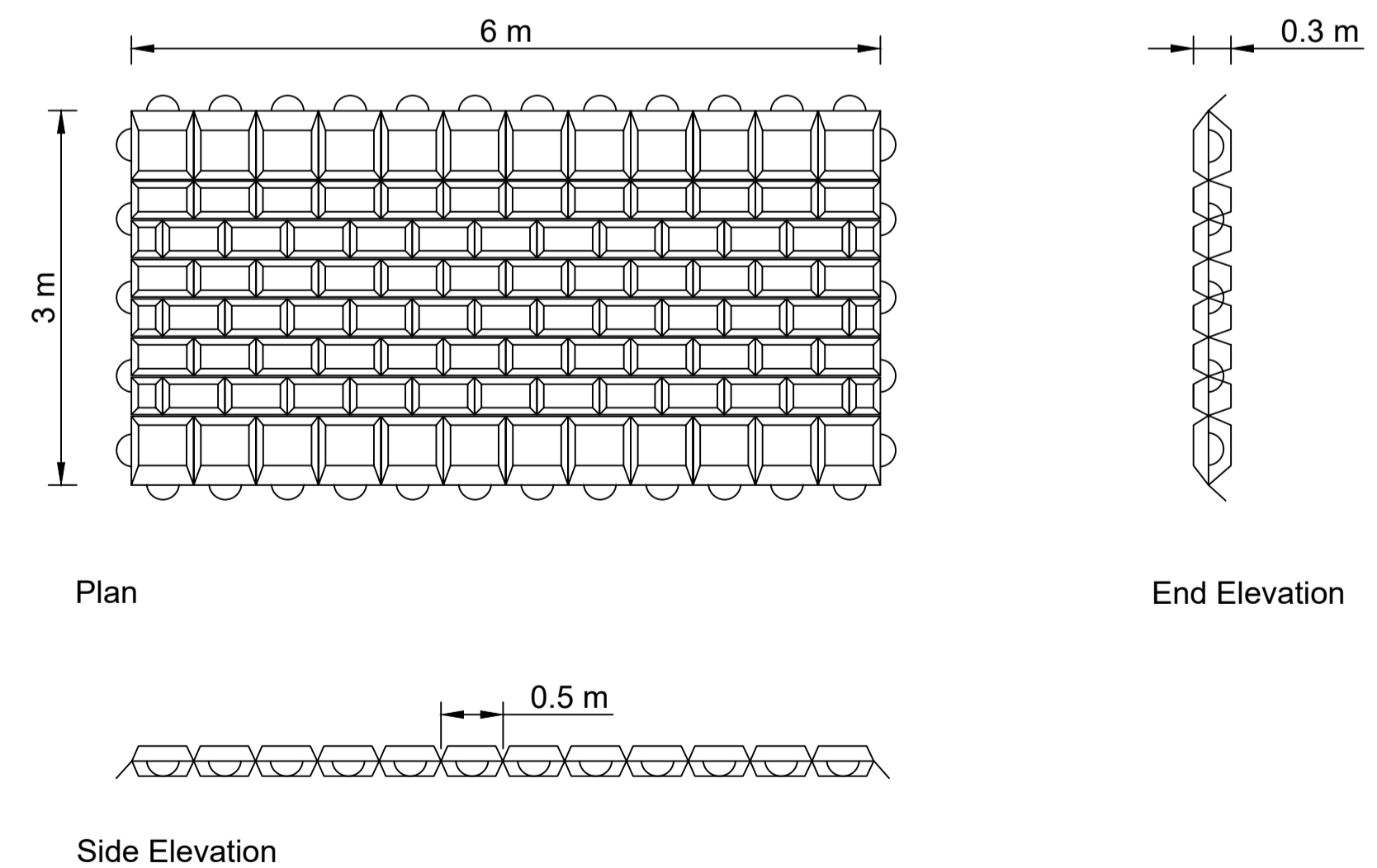
Export Cable Installation at Zone of Greater Burial Depth
Scale 1:50



Cable Protection
Scale 1:20



Concrete Mattress Arrangement on the Seabed
Scale 1:20



Concrete Mattress Design
Scale 1:50

- Notes
1. For planning purposes only. Not for construction.
 2. All dimensions are in metres.
 3. Except at Zone of Greater Burial Depth: Minimum Depth of Cover is 1.4m below the seabed, measured from the Seabed Level, Undisturbed to the top of the submarine cable. Where target burial depth is not achieved, or where cable will be laid on the seabed, secondary protection systems may be placed.
 4. Secondary cable protection will be rock or concrete mattress.
 5. At zone of greater burial depth minimum Depth of Cover is 3.0m below the seabed, measured from the Seabed Level, Undisturbed to the top of the submarine cable.
 6. Offshore export cables are 220kV.
 7. The plan is compliant with An Coimisiún Pleanála's s287B Opinion.
 8. Refer to plan CWP-TOB-CON-08-02-DWG-0008 - 0010 and CWP-TOB-CON-08-02-DWG-0012 - 0014 showing the preferred export cable alignments and associated limits of deviation.

Key to Symbols

Safety, Health and Environmental Information

References

Rev	Date	Description	Drawn	Ch'k'd	App'd
B	14/01/26	Planning Issue	JR	MN	LR



Client

CODLING WIND PARK

Title

**EXPORT CABLE
BURIAL AND PROTECTION DETAILS**

Scale at A1	Status	Rev	Security
As Shown	Planning	B	STD

TOBIN Drawing Number
CWP-TOB-CON-08-02-DWG-0063